

Features

- Accommodates continuous loads up to 60 Watts
- Pole, ground or tower mount options
- Sealed, maintenance-free, deep-cycle gel batteries
- Photovoltaic array wiring kit
- Secure, weather-proof cabinet
- Built to NEC standards
- Factory tested
- One year warranty
- Maintenance + Auditing + Upgrades
- Pre-assembled for easy deployment.
- AC and DC voltages available.
- Class 1, Div II optional

PV Mounting

- 105 MPH Wind Rating
- Rugged aluminum construction
- Several mounting options

System Controller

- Low voltage disconnect to protect battery
- Battery temperature sensor
- Optional telemetry for remote monitoring

Enclosure

- Rugged, NEMA 3R enclosure
- Passive ventilation
- Powder-coat finish
- Optional active ventilation and heating

Batteries

Minimum 5 days autonomy (minimum 7 days for obstruction lighting applications)

- Deep cycle
- Maintenance free
- 500 cycles at 80% DOD



PV frame complies with international building code for 105 MPH wind exposure

Single or double panel PV array 20 year warranty

Surge protection

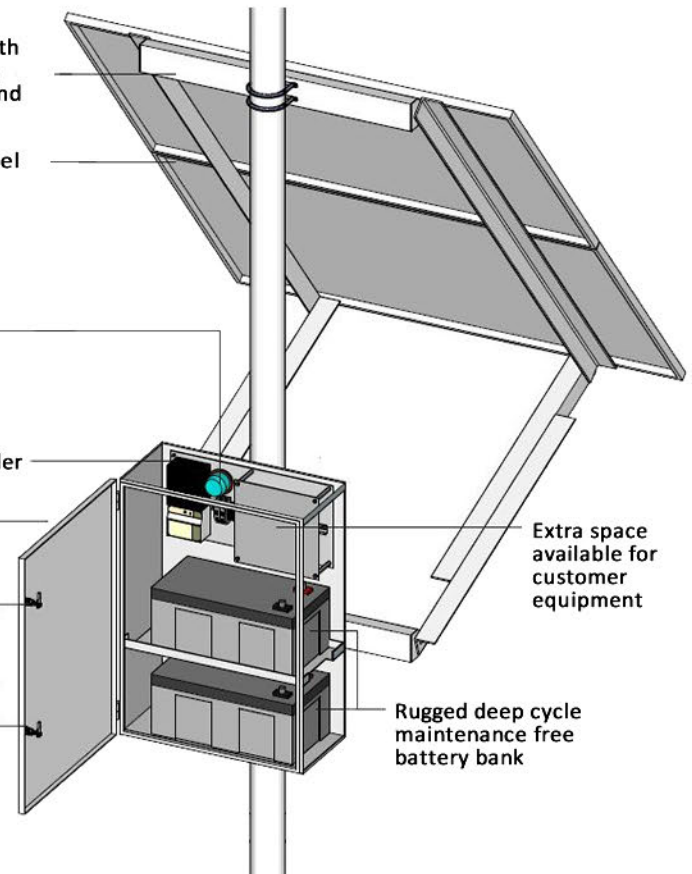
MPPT Charge Controller

Ventilated powder coated aluminum battery cabinet
37.5" H x 27" W x 13" D

Dual Locking door enclosure for added security and proper seal

Extra space available for customer equipment

Rugged deep cycle maintenance free battery bank



Reliable, Cost Effective Solar Powered Systems

Developed from more than three decades of industry experience, the Micro SPS product line has been engineered for reliability and durability, using only trusted, quality components. By incorporating photovoltaics with the latest battery and controls technologies, our affordable Micro SPS can autonomously support a variety of AC and DC outputs and is quickly and easily deployed. All of our systems are factory tested and carefully packaged prior to delivery ensuring that the Micro SPS arrives ready for deployment. Our team of engineers and project managers will work closely with you to ensure that you have the right solution for your remote power needs.

Applications

Northern Reliability Micro Solar Power Systems (SPS) deliver reliable power at remote or grid challenged sites for mission critical applications such as:

Aviation obstruction lighting

Oil & Gas SCADA and Cathodic Protection

Security and Surveillance

Remote Monitoring

Benefits

Reliable, rugged components and design

Quick and easy deployment, designed by installers

Cost effective approach for difficult energy situations

Compact renewable energy solution

